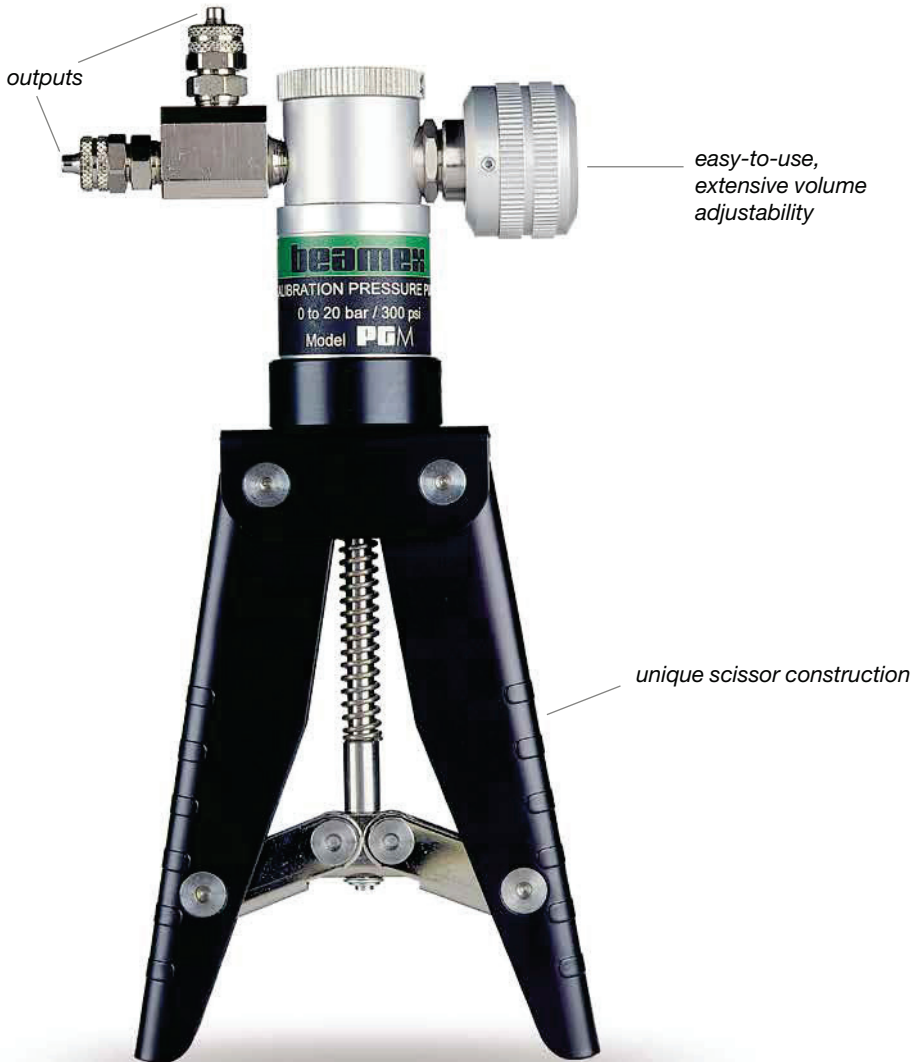


# PGM

CALIBRATION PUMP 0...20 bar / 0...300 psi



125

**The PGM** is a hand-operated pressure calibration pump that uses air as its pressure medium. The extremely accurate volume control provides the excellent fine adjustment of pressure. The pump's unique and sturdy construction makes the PGM the ultimate field calibration pump.

## Specifications

PGM	
Output pressure:	0 ... 20 bar / 0 ... 300 psi
Pressure media:	Air
Output connector:	2 x 1/8" NPT female
Dimensions:	223 mm x 96 mm x 38 mm 8.78" x 3.78" x 1.5"
Weight:	400 g / 0.9 lb
Standard delivery:	<ul style="list-style-type: none"><li>• spare part set</li><li>• pressure fittings</li><li>• Bx G1/8" male for Beamex 40 bar (600 psi) hoses</li><li>• 2 x fittings for 1/4" OD (1/8" ID) hose with a nut</li><li>• 2 x fittings for 1/8" ID hose</li><li>• pressure plug</li></ul>
Optional accessories:	<ul style="list-style-type: none"><li>• hard carrying case</li><li>• 40 bar pressure hoses and fittings</li></ul>

For up-to-date list and prices for accessories, please visit webshop at [shop.beamex.com](http://shop.beamex.com)

Please see 'Pressure fittings guide' at [shop.beamex.com](http://shop.beamex.com)